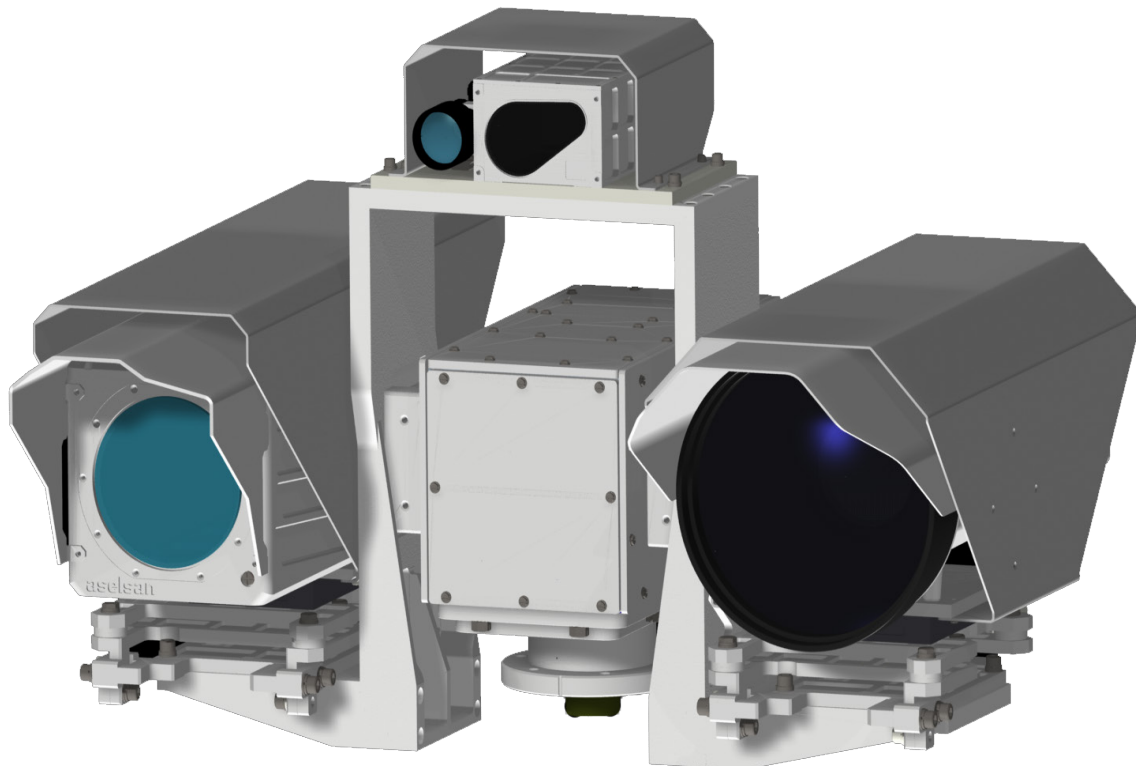
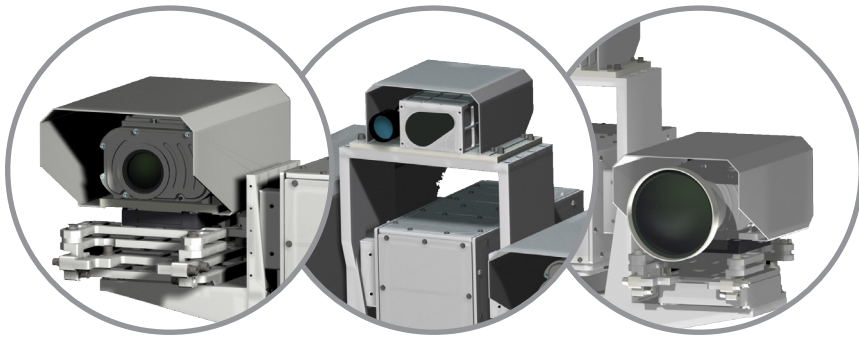


SeaEye-ORFOZ-L

ELECTRO-OPTIC BORDER/
COASTAL SURVEILLANCE SYSTEM

COOLED THERMAL CAMERA ALTERNATIVES
LONG RANGE DAY-TV ALTERNATIVES
EYE-SAFE LASER RANGE FINDER (OPTIONAL)
MOTORIZED PAN&TILT UNIT
COMMUNICATION AND VIDEO TRANSFER VIA ETHERNET





SeaEye-ORFOZ-L

ELECTRO-OPTIC BORDER/ COASTAL SURVEILLANCE SYSTEM

Applications

- Border Surveillance System
- Coastal Surveillance System
- Facility Security
- Long Range Surveillance
- Law Enforcement

System Units

- Cooled Thermal Camera Alternatives
- Day-TV Alternatives
- Laser Range Finder (Optional)
- Motorized Pan & Tilt Unit

Main Features

- Field of View Selection
- Advanced Image Processing Algorithms
- Motorized Focus and Zoom Adjustment
- Automatic and Manuel Gain/Level Adjustment
- Polarity Change (Black hot/White hot)
- Flexible Language Structure
- Symbology Generation and User Menu
- Compliant to MIL-STD-1275D

Environmental Conditions

- Environmental Spec : MIL-STD-810G

Thermal Camera Alternatives

	EYE-M	EYE-L	EYE-XL	EYE-LR-S	EYE-LR-L
IR Band	3-5 μm (MWIR)	3-5 μm (MWIR)	3-5 μm (MWIR)	3-5 μm (MWIR)	3-5 μm (MWIR)
Detector Type	640X512	640X512	640X512	640X512	640X512
Optical Zoom	Continuous	Continuous	Continuous	Continuous	Continuous
Digital Zoom	2x	2x	2x	2x	2x
FOV (Wide)	11° x 8.8°	6° x 4.8°	12.2° x 9.75°	35° x 28°	15° x 12°
FOV (Middle)	6° x 3.2°	2.4° x 1.92°	6° x 4.8°	6° x 4.8°	3° x 2.4°
FOV (Narrow)	1.3° x 1.4°	0.8° x 0.64°	0.5° x 0.4°	1.8° x 1.44°	0.9° x 7.2°
EFL	413 mm	688 mm	1100 mm	300 mm	600 mm

Technical Specifications

General

- Video : Ethernet(H264), PAL
- Communication : Ethernet
- Input Voltage : 24Vdc (nominal)

Thermal Camera

- Detector Type : Cooled, 3-5 μm
- Detector Format : 640x512
- E-Zoom : X2
- Cooldown-Time : < 7 min

Laser Range Finder

- Type : Class1, Eye-Safe
- Range : 100m-19000m
- Repetition Rate : 20ppm

Day-TV Alternatives

	GUNGOR HD-S	GUNGOR HD-M	GUNGOR HD-L
Sensor Resolution	1920 x 1080	1920 x 1080	1920 x 1080
Sensor Type	1/2.8" CMOS	1/2" CMOS	1/2" CMOS
Shutter Type	Rolling	Global	Global
HFOV (Wide)	63° (±%10)	30°(±%10)	20°(±%10)
HFOV (Narrow)	2.3°(±%10)	1.5°(±%10)	0.4°(±%10)
Optical Zoom	30X (±%10), Continuous	20X, Continuous	>50X, Continuous
Digital Zoom	12X (±%10), Continuous	2X, 4X	2X, 4X

