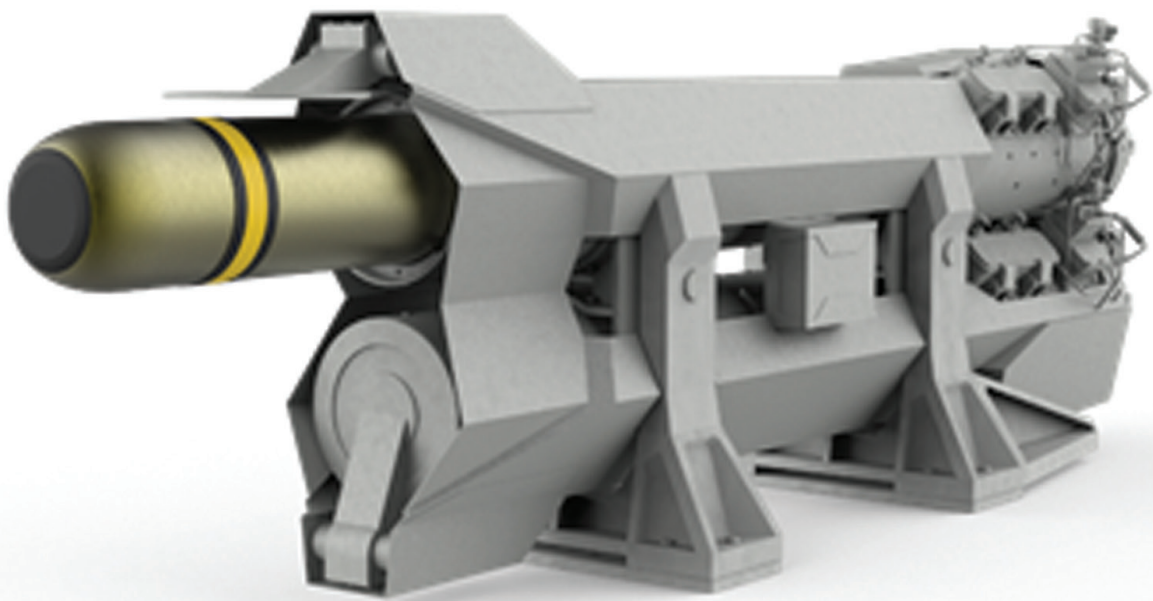


# TORPEDO LAUNCHING SYSTEM



# TORPEDO LAUNCHING SYSTEM

ASELSAN Torpedo Launching System is a fixed-mount, lightweight torpedo launcher from the decks of surface vessels.

- **System Capabilities:**
- Launching NATO Standard lightweight torpedoes (Mk 44 / Mk 46 / Mk 54) using high pressure air
- Transmitting preset functions from the fire control system to torpedo
- Integration to Combat Management System
- Different operation modes for controlling either remotely or locally (in case of emergency)
- Electrically Simulation capabilities with Test Unit in order to training and fault detection
- Cold weather protection on muzzle doors
- Moduler configuration options (Single, Twin, Triple)
- Configurable mounting interface for different surface vessels
- Simplified operation and maintenance
- 
- **System Components:**
- Two barrel torpedo tube (Starboard and Port)
- Power Distribution Unit (Starboard and Port)
- Buzzer (Starboard and Port)
- Torpedo Test Unit
- Torpedo Handling Set

## Technical Specifications

Torpedo Launching Capability	: Mk 44
	: Mk 46
	: Mk 54
Electrical Requirements	: 115 VAC, 60 Hz, 1 Faz
Low Pressure System	: 125±25 PSI
High Pressure System	: 1500±50 PSI
Cold Weather Protection	: Muzzle Door Heater

