

AUXILIARY POWER SUPPLY

AUXILIARY POWER CONVERTER FOR RAILWAY APPLICATIONS



Product Description

ASELSAN's Auxiliary Power Supply Series is a family of auxiliary power converters having different power capacity and voltage levels and developed using unique technology for railway applications. ASELSAN's Auxiliary Power Supply Series have a product range suitable for

- input voltages of 600/750/1500 VDC
- AC output power range from 15 kVA to 200 kVA and
- DC output power range from 7 kW to 20 kW.

Auxiliary Power Converter pictured above is a member of the family customized for ANKARAY METRO application. It is designed to replace the old power supply with the more efficient IGBT based auxiliary power converter for improved performance.

Main Applications

- Light Railway Vehicles
- Metros
- Electric Multiple Units

Key Customer Benefits

- Adaptability to customer requirements and all railway platforms
- Compliance with railway quality management system (IRIS)

Features

- Railway qualified components
- Optional integrated battery charger
- High speed circuit breaker (if required)
- Compact, lightweight, reliable and robust design
- Flexible algorithm development architecture
- Dead battery starter
- Passive DC link discharge
- CAN-BUS interface for communication with the train
- Over voltage, over current and over temperature protection
- Galvanic isolation between high and low voltage (separate container required)
- Compliance with EMC requirements
- Adaptability to roof mounted or underfloor installation
- Easy mounting and maintenance
- Software for easy service and fast diagnosis
- Fully automated self-test and start-up

AUXILIARY POWER SUPPLY

AUXILIARY POWER CONVERTER FOR RAILWAY APPLICATIONS

Product Specifications

Input Voltage Range	: 500 – 1000 VDC
Nominal Input Voltage	: 750 VDC
AC Output Voltage	: 380 VAC, 50 Hz
AC Output Power	: 30 kVA, 0.8 power factor
DC Output Voltage	: 24 VDC
DC Output Power	: 7 kW

Thermal And Mechanical Data

Cooling Type	: Forced Air Cooling
Operating Temperature Range	: -25°C / +55°C
Storage Temperature Range	: -40°C / +70°C
Weight	: 170 kg
Sealing	: IP65 (electronics only)

Standards

Electrical

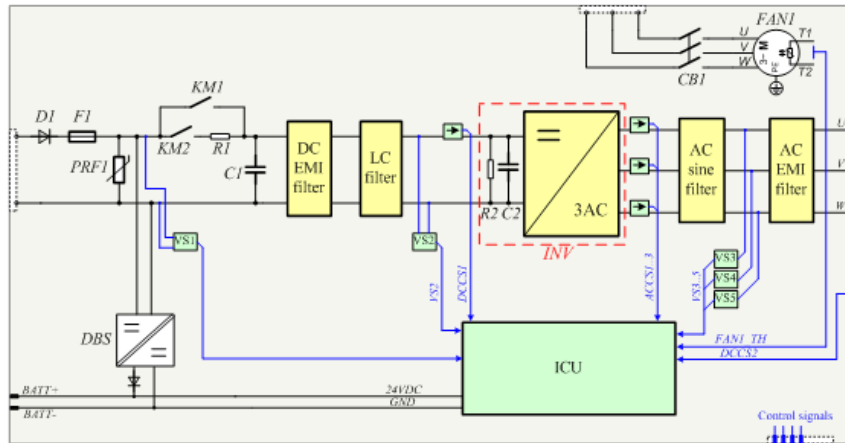
- EN 50155
- EN 50163
- EN 50124-1

- EN 50124-2
- EN 61287-1
- EN 50121-3-2

Mechanical

- EN 61373

Block Diagram



Dimensions

